

DESCRIPTION

Bi-directional rod wiper with hook for pneumatic cylinders

MATERIAL

Type: Polyurethane
Designation: SEALPUR 93
Hardness: 93 °ShA

MAIN FEATURES

RCA is a product with integrated fixing capability that performs both functions of rod seal and wiper. Its functions are:

- to prevent introduction of dust, dirt and foreign matter into the system; this is achieved by a special wiper lip which produces a very effective cleaning action, prevents the development of scores, protects the guiding parts and extends the service life of the axial moving rod seals.
 - to prevent the release of air from the cylinder ensuring a perfect seal; the asymmetric lips are designed to differentiate the behavior of the lips on the static and dynamic surfaces: the dynamic lip is rounded, flexible and more sensitive to pressure fluctuations; the static lip is longer and stronger to concentrate load against the static surface.
- The material used to produce this seal is a polyurethane compound, specifically developed for the production of pneumatic seals, that ensures excellent properties on wear-resistance, extended service life and low permanent deformation.

- fast installation either automatically or manually

- The groove is fully open and allows easy replacement of the scraper
- Geometry of the sealing lips is designed to operate with air lubricated and dry
- Low friction at all usage pressure
- Excellent wear-resistance
- Extended service life

FIELD OF APPLICATION

Pressure	≤ 16 bar
Speed	≤ 1 m/s
Temperature	-35°C ÷ +80°C
Fluids	Air with or without lubrication, grease, mineral oils, non-aggressive gases, etc.

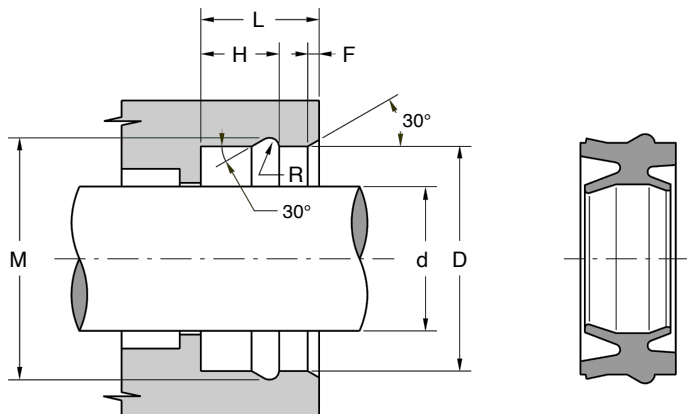
SURFACE ROUGHNESS

Dynamic surface	Ra ≤ 0.25 μm	Rt ≤ 2.5 μm
Static surface	Ra ≤ 0.8 μm	Rt ≤ 6.3 μm

LEAD-IN CHAMFERS

	d	S _{MIN}
	•less 20	3 x 20°
	20÷50	4 x 20°
	51÷150	5 x 20°
	•over 150	6 x 20°

- to avoid damaging the sealing lips during installation, housing must have rounded chamfers. Sharp edges and burrs within the installation area of the seal must be removed



Part.	d f7	D H10	M ±0.1	L +0.5	H +0.25	F	R
RCA 12 20 10.7	12	20	22	13	8.8	1.5	1.1
RCA 12 22 10.7	12	22	24	13	8.8	1.5	1.1
RCA 16 26 10.7	16	26	28	13	8.8	1.5	1.1
RCA 18 28 10.7	18	28	30	13	8.8	1.5	1.1
RCA 20 30 10.7	20	30	32	13	8.8	1.5	1.1
RCA 25 35 11.2	25	35	37.5	14	9.4	2	1.4
RCA 30 40 11.2	30	40	42.5	14	9.4	2	1.4
RCA 40 50 11.2	40	50	52.5	14	9.4	2	1.4
RCA 45 55 12.2	45	55	58.2	15	10.4	2	1.8