

# DV



## MATERIAL



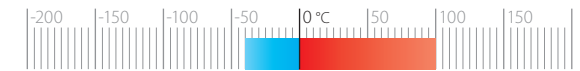
Type  
Polyurethane

Designation  
SEALPUR 93

Hardness  
93 °ShA

## FIELD OF APPLICATION

Temperature  
-40°C ÷ +100°C



## SURFACE ROUGHNESS

Housing surface

Ra ≤ 1.6 μm

Rt ≤ 6.3 μm

Before assembly good cleanliness and lubrication are recommended.

The above data are maximum values, they may be maintained for short periods and can not be used at the same time simultaneously.

The function of V-Ring type Aston Seals DV is to prevent introduction of dust, dirt, mud and foreign matter into components such as joints, bearings and brasses.

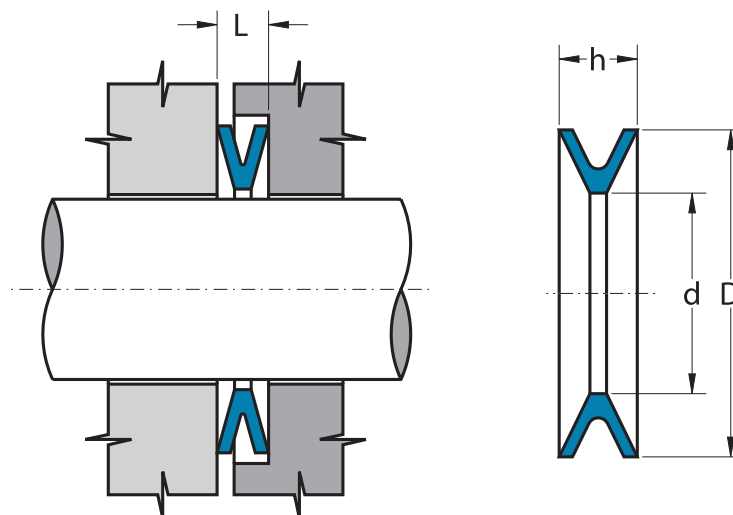
This is achieved by the right compression of sealing lips which produces a very effective protective action and extends the service life of the component.

The DV ring compensates for axial play and allows angular swing movements up to 2°.

The material used to produce this seal is a polyurethane compound that ensures excellent properties in case of dry run, an increased wear-resistance and an extended service life.

- Excellent wear-resistance
- Extended service life
- Compensation of angular swing movements
- Good temperature resistance
- Easy installation without expensive auxiliaries

# DV



Part.	D	d	h	L
<b>DV 27.5</b>	27.5	22.5	4.0	2.0
<b>DV 32</b>	32.0	26.0	4.0	2.0
<b>DV 38.5</b>	38.5	31.0	4.5	2.0
<b>DV 43</b>	43.0	36.0	5.0	2.0
<b>DV 51</b>	51.0	42.0	6.0	2.5
<b>DV 57.5</b>	57.5	47.5	7.0	3.0
<b>DV 64</b>	64.0	54.0	7.0	3.5
<b>DV 71</b>	71.0	59.0	7.0	3.5
<b>DV 74/A</b>	74.0	61.5	8.0	3.5
<b>DV 80</b>	80.0	65.0	7.0	3.5
<b>DV 86</b>	86.0	71.0	9.0	4.0
<b>DV 86/A</b>	86.0	70.0	9.0	4.0
<b>DV 88.8</b>	88.8	70.0	8.0	3.5
<b>DV 95</b>	95.0	85.0	6.0	2.5
<b>DV 100</b>	100.0	82.0	9.0	4.5
<b>DV 105</b>	105.0	90.0	9.0	4.5
<b>DV 112</b>	112.0	96.0	10.0	5.0
<b>DV 142</b>	142.0	116.0	16.5	7.5
<b>DV 152</b>	152.0	127.0	16.5	7.5
<b>DV 162</b>	162.0	137.0	15.0	7.5
<b>DV 186</b>	186.0	160.0	16.0	7.5